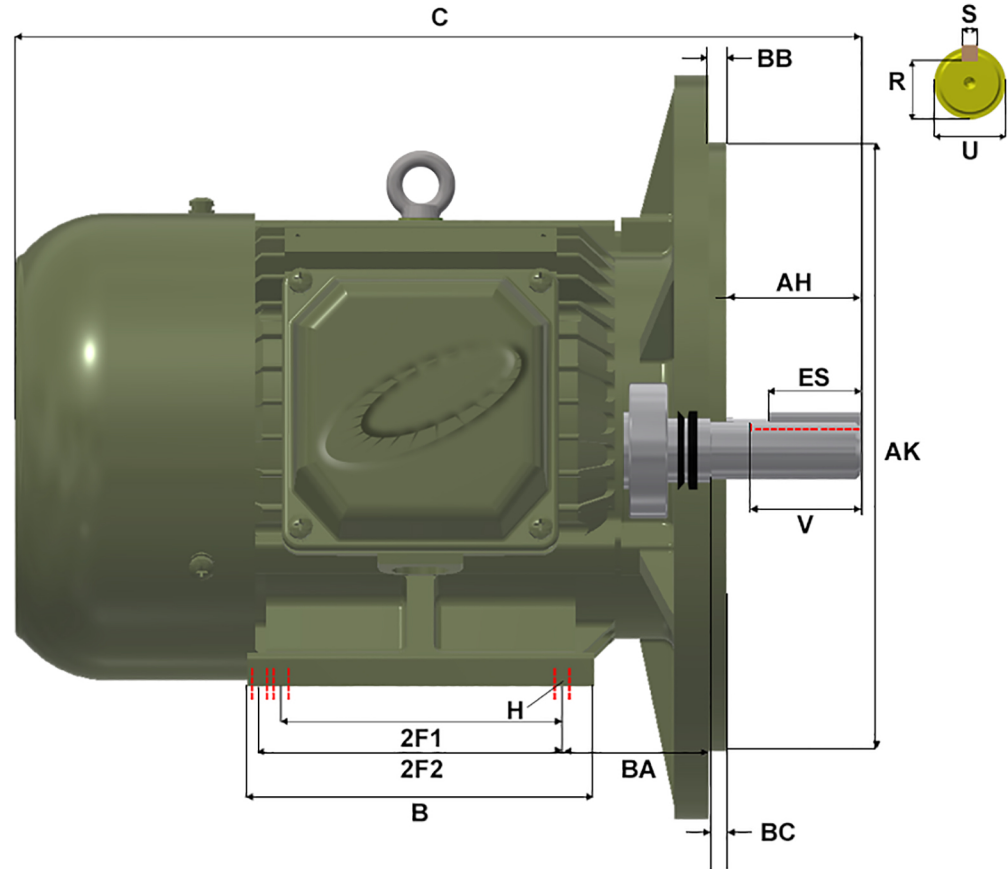
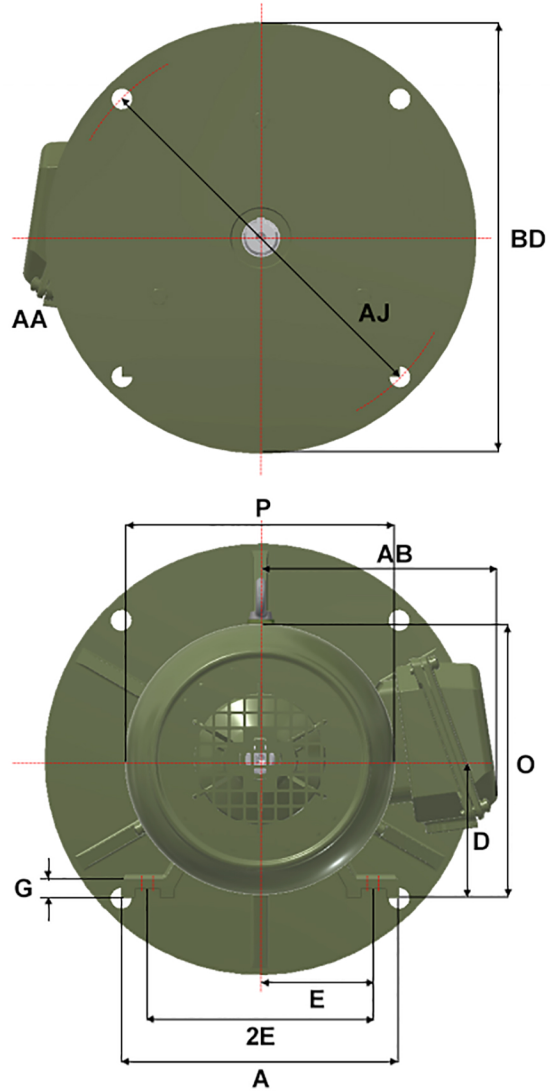


MaxMotion



Version: 2WTI		Revised: 08-10-2019		HP	RPM	FRAME	ENCLOSURE	MPP/MQP-51D					
Customer is responsible in determining that MEP product will fit/perform suitably in the intended application				30	3600	286TSD	TEFC						
A	B	C	D	E	2E	2F1	2F2	G	H	O	P	R	S
T	U	V	AA	AB	AH	AJ	AK	BA	BB	BC	BD	ES	
14.00	13.20	26.70	7.00	5.50	11.00	9.50	11.00	0.85	6 * 0.53	14.50	14.00	1.416	0.375
2.20	1.625	3.00	1-1/2 NPT	11.30	3.25	12.50	11.00	4.75	0.25	0.00	14.00	1.91	